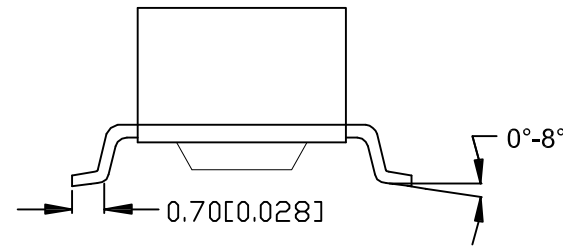
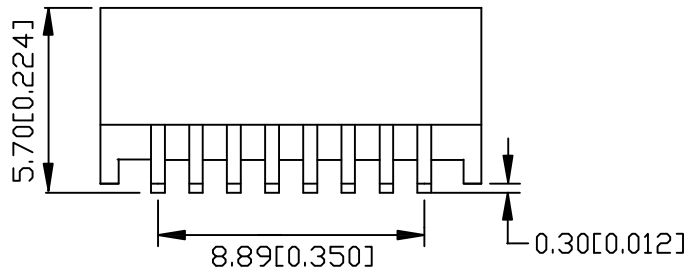
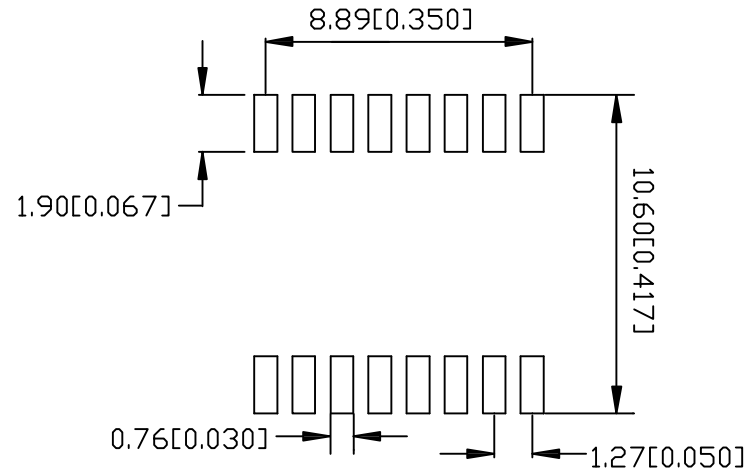
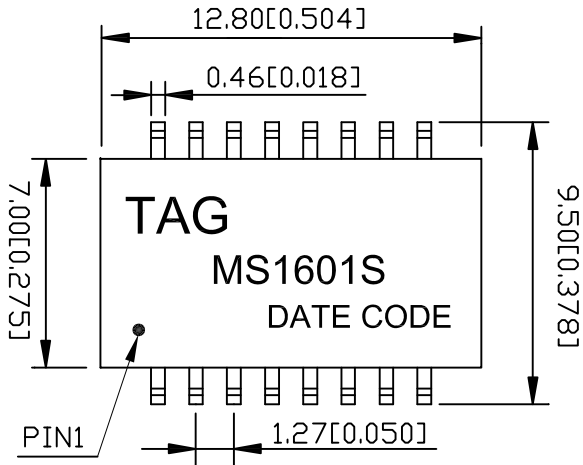


1. MECHANICAL DIMENSIONS :

REV.	CHANGGE DESCRIPTION	DATE
01	New Issue	2011-9-13



RoHS Compliant

NOTE. DIMENSIONS:MM(INCHES)/UNLESS OTHERWISE SPECIFIED ALL TOLERANCES ARE ±0.25(0.010).

TAG

泰安吉科技有限公司
TAG TECHNOLOGY CO., LTD.

A4
SIZE

TAG PART NO.:
MS1601S

VENDOR PART NO.:

Drawn: Rita

Designed: Evan

Approved: Paul Li

Date: 2011-9-13

THESE DRAWINGS AND SPECIFICATIONS ARE THE PROPERTY OF TAG TECHNOLOGY CO., LTD. AND SHALL NOT BE REPRODUCED OR USED AS THE BASIS FOR THE MANUFACTURE OR SELL OF APPARATUSES OR DEVICES WITHOUT PERMISSION.

THIRD ANGLE
PROJECTION

DESCRIPTION:
10/100 BASE-T TRANSFORMER MODULES

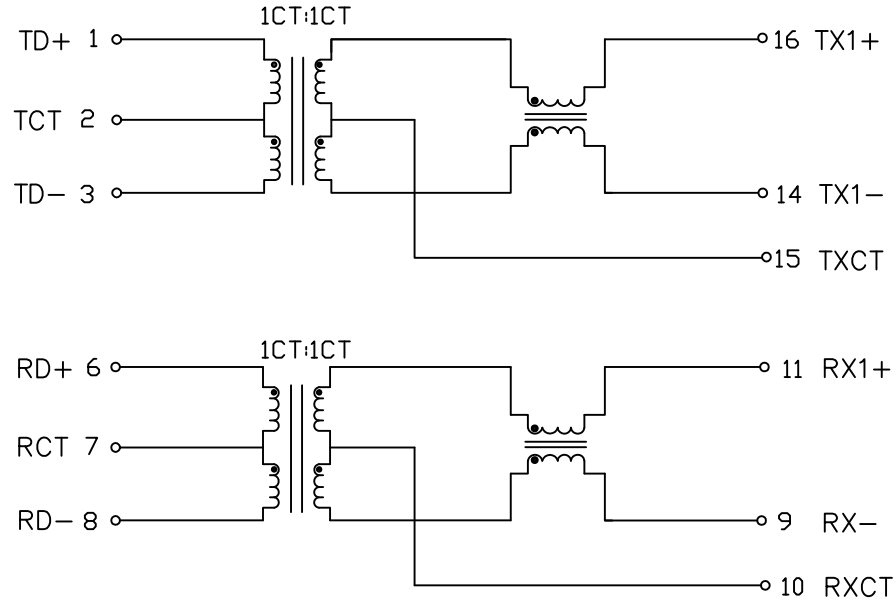
UNIT	mm[inch]	USED ON	
SHEET	1 OF 2	REV.	01

UNIT	mm[inch]	USED ON	
SHEET	1 OF 2	REV.	01

UNIT	mm[inch]	USED ON	
SHEET	1 OF 2	REV.	01

REV.	CHANGGE DESCRIPTION	DATE
01	New Issue	2011-9-13

2. SCHEMATIC:



3. ELECTRICAL CHARACTERISTICS :

TEST NOTES:(25±5°C)

- TR:(100KHz,0.1V)
PINS:(1,3):(16,14)=1:1±3%;(6,8):(11,9)=1:1±3%
- LX:(100KHz,0.1V,8mA, DC Bias)
PINS:(1,3),(6,8)=350uH MINIMUM
- DCR
PINS:(16,14),(11,9) =1.2Ω MAXIMUM
- HIPOT:
PINS:(1,2,3)TD PINS:(16,15,14)=1500VAC FOR 60 SECONDS
PINS:(6,7,8)TD PINS:(11,10,9)=1500VAC FOR 60 SECONDS
- INSERTION LOSS:
-1.1dB MAXIMUM AT 0.3MHz TO 100MHz
- RETURN LOSS:
-16dB MINIMUM AT 1MHz TO 30MHz
-16dB MINIMUM AT 30MHz TO 40MHz
-14.1dB MINIMUM AT 40MHz TO 50MHz
-12.5dB MINIMUM AT 50MHz TO 60MHz
-10dB MINIMUM AT 60MHz TO 80MHz
- CROSS TALK:
-35.8dB MINIMUM AT 1MHz TO 30MHz
-30.8dB MINIMUM AT 30MHz TO 60MHz
-28dB MINIMUM AT 60MHz TO 100MHz
- COMMON MODE REJECTION:
-40dB MINIMUM AT 0.3MHz TO 30MHz
-35dB MINIMUM AT 30MHz TO 60MHz
-30dB MINIMUM AT 80MHz TO 100MHz
- OPERATING TEMPERATURE 0°C TO 70°C.

RoHS Compliant

TAG

泰安吉科技有限公司
TAG TECHNOLOGY CO., LTD.

A4
SIZE

TAG PART NO.:
MS1601S

VENDOR PART NO.:

Drawn: Rita

Designed: Evan

Approved: Paul Li

Date: 2011-9-13

THESE DRAWINGS AND SPECIFICATIONS ARE THE PROPERTY OF TAG TECHNOLOGY CO., LTD. AND SHALL NOT BE REPRODUCED OR USED AS THE BASIS FOR THE MANUFACTURE OR SELL OF APPARATUSSES OR DEVICES WITHOUT PERMISSION.



DESCRIPTION:

10/100 BASE-T TRANSFORMER MODULES

UNIT	mm[inch]	USED ON	
SHEET	2 OF 2	REV.	01